

TECHNICAL ENQUIRY FORM



EIL-F-129 REV 03 : 2014

FLANGE TOOL INNOVATION


info@equalizerinternational.com

1.

 1.1

 1.5

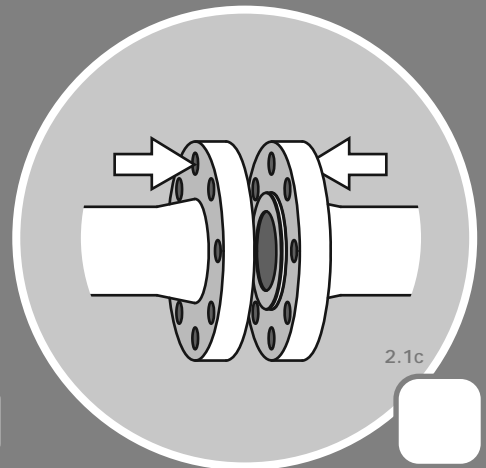
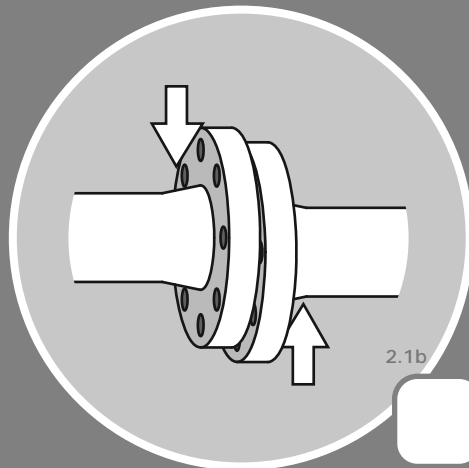
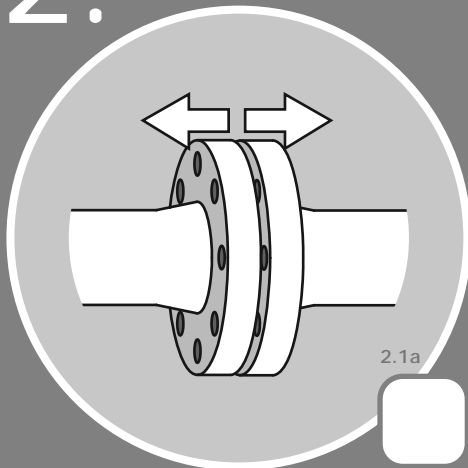
 1.2


 1.6

 1.3

 1.4a mm 1.4b inch

2.

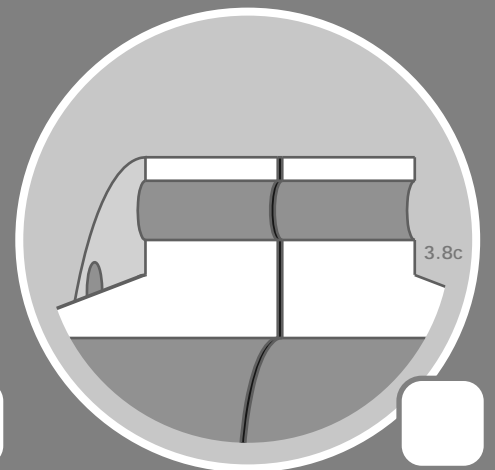
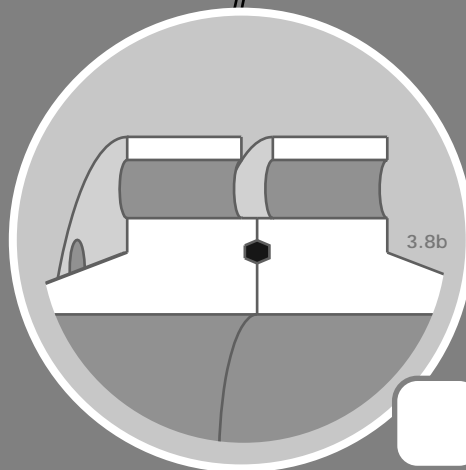
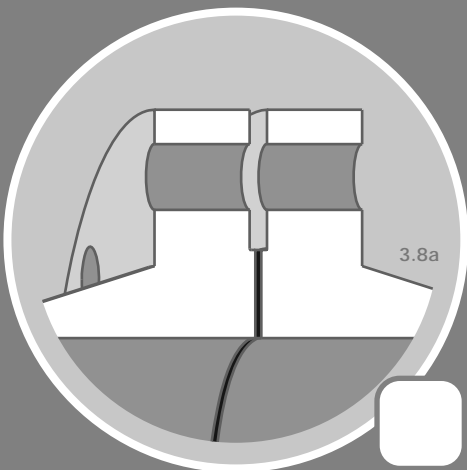
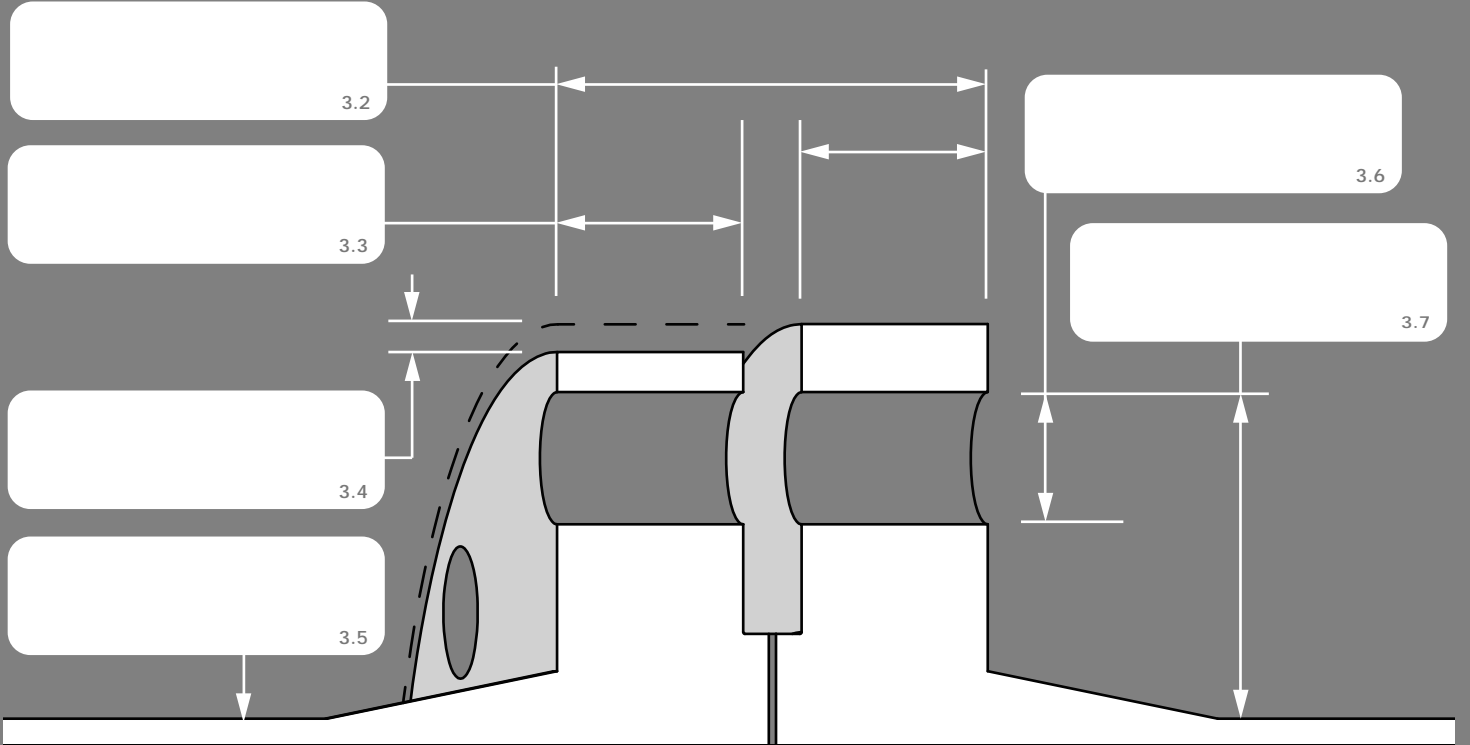
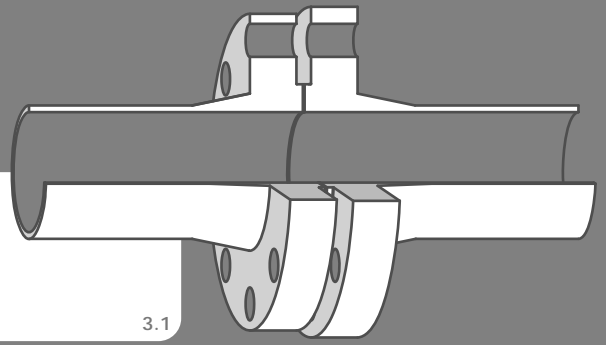




2.2

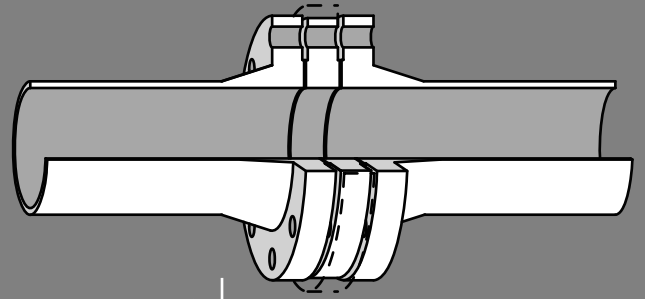
3.

#



i

4.



[Blank box]

4.1

[Blank box]

4.2

[Blank box]

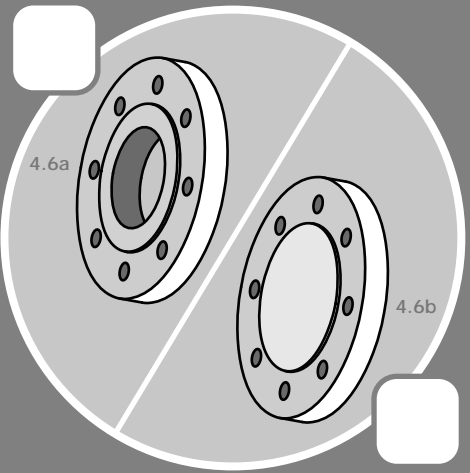
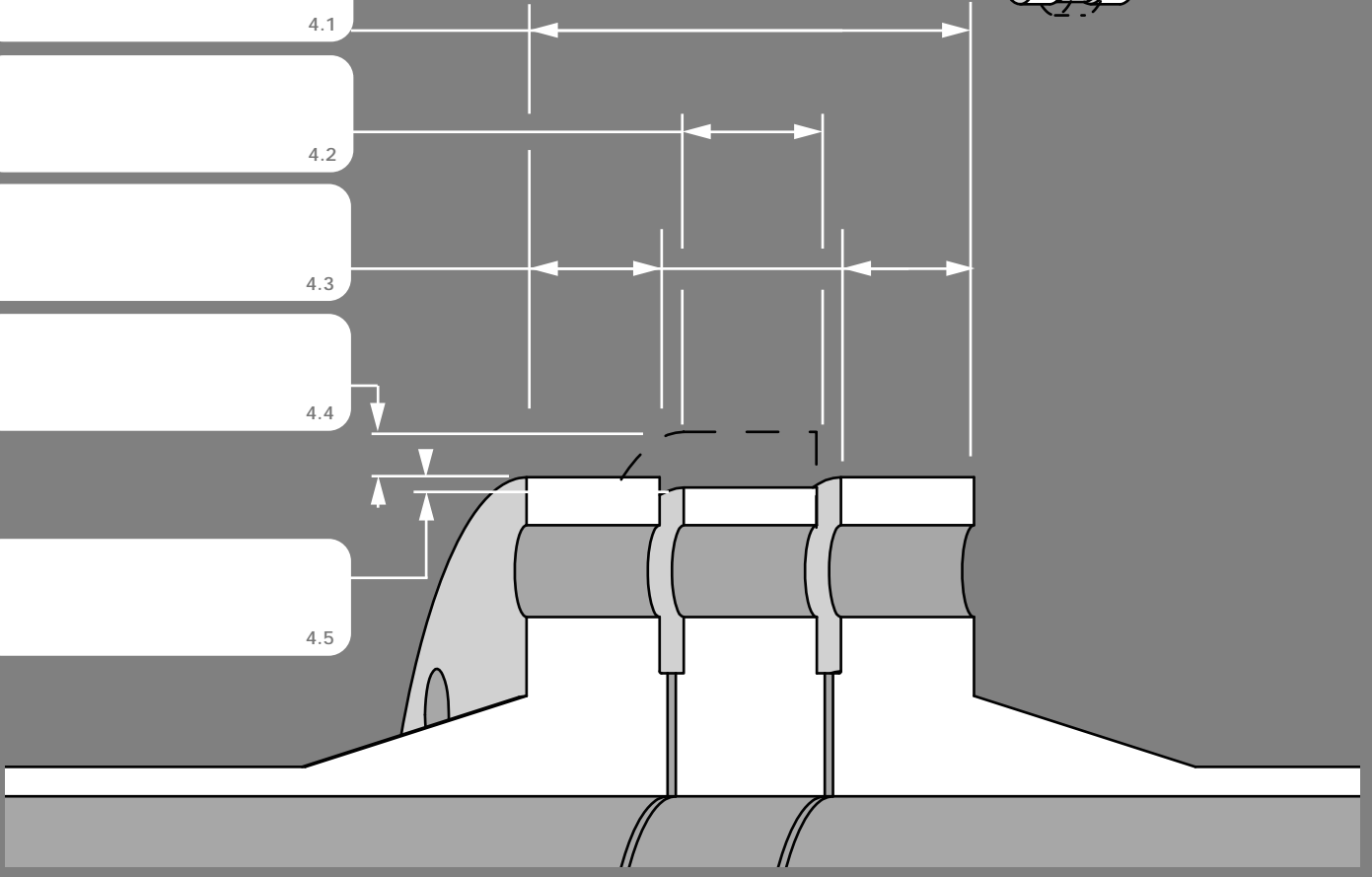
4.3

[Blank box]

4.4

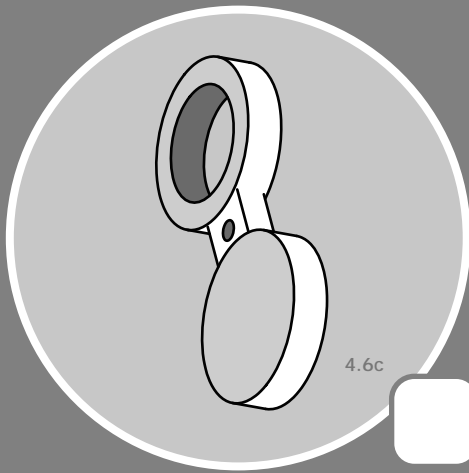
[Blank box]

4.5

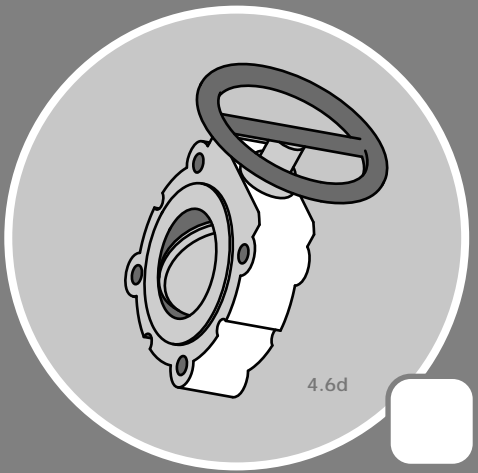


4.6a

4.6b



4.6c



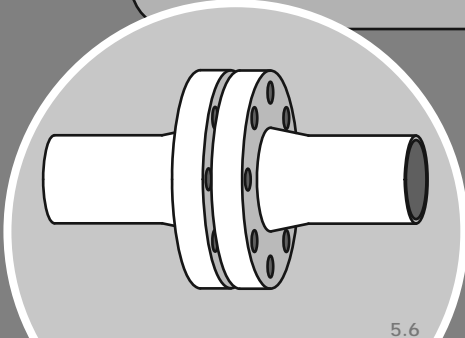
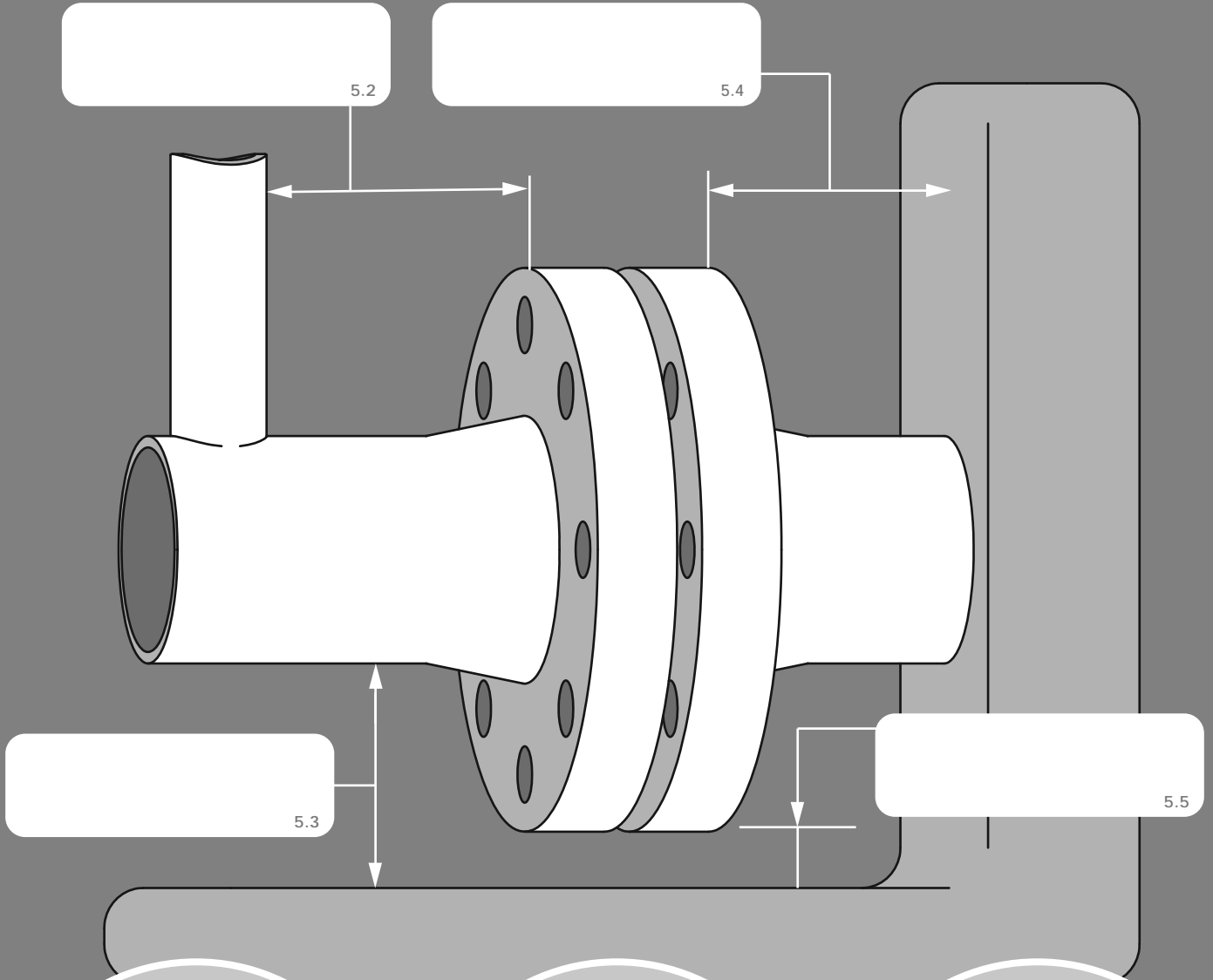
4.6d

i

5.

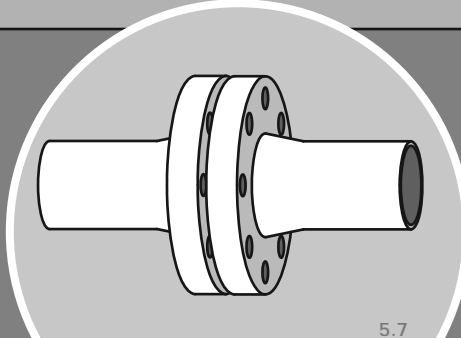
i

5.1



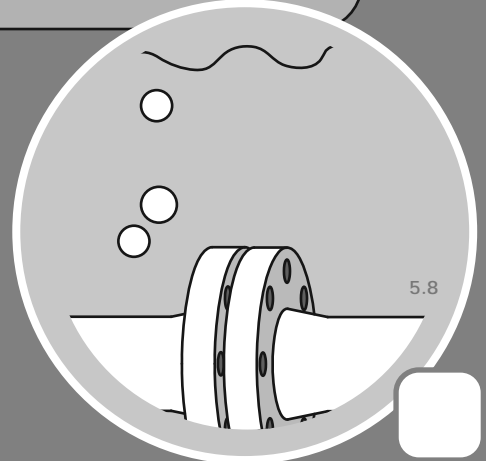
5.6

psi
bar



5.7

°C
°F



5.8

